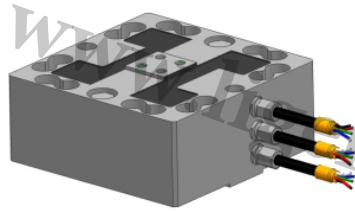
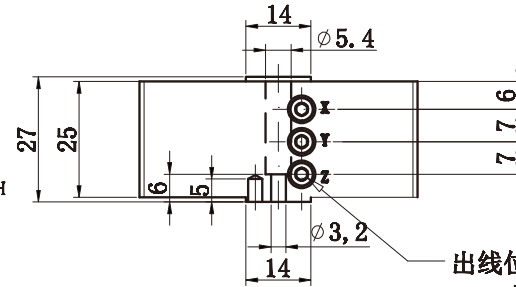
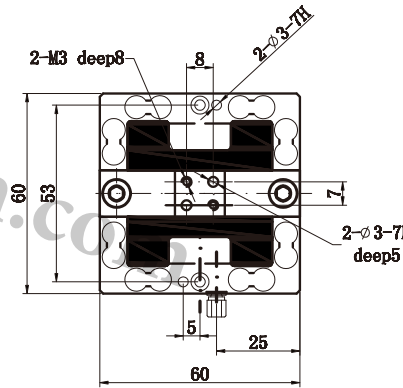
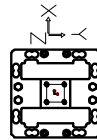


三轴力传感器 / 3-Axis Force Sensor

LF303M60



LF303M三维方向力值耦合影响%			
	X	Y	Z
X	-	±3	±5
Y	±3	-	±5
Z	±5	±5	-



出线位置
3-φ2导线, 长度2m

TECHNICAL SPECIFICATION

量程 Capacity	X:5/10/20/50kg; Y:5/10/20/50kg; Z:5/10/20/50/100kg	材质 Material	铝/不锈钢 Aluminum/Stainless Steel
输出灵敏度 Rated Output	1.0~1.5 mV/V	输出阻抗 Output Impedance	350(700) ± 3 Ω
零点输出 Zero Balance	± 2 % F.S.	绝缘电阻 Insulation	≥ 5000MΩ/100VDC
非线性 Non-linearity	1.0-3.0 % F.S.	使用电压 Recommended Excitation	5-10V
滞后 Hysteresis	1.0 % F.S.	最大使用电压 Maximum Excitation	15 V
重复性 Repeatability	1.0 % F.S.	温度补偿范围 Compensated Temp Range	- 10 ~ 60 °C
蠕变 (30分钟) Creep (30min)	0.05% F.S.	工作温度范围 Operating Temp Range	- 20 ~ 80 °C
温度灵敏度漂移 Temp Effect on Output	0.05 % F.S. / 10°C	安全超载 Safe Load Limit	150%
零点温度漂移 Temp Effect on Zero	0.05 % F.S. / 10°C	极限超载 Ultimate Load Limit	200%
输入阻抗 Input Impedance	385(750) ± 10 Ω	电缆线尺寸 Cable Size	可按需制做 As request
电缆线连接方式 Wire Connection	可按需制做 As request		
主要应用 Applications	铣床磨床加工过程中刀具三个方向受力分析检测, 机器人抛光三轴力的检测 Mainly used for force measurement analysis of tools from three dimensions during the process of milling or grinding machine, and the three-axis force measurement of robotic polishing		

*外形尺寸根据量程要求而不同 The dimension may be different based on the different capacity requirement.